
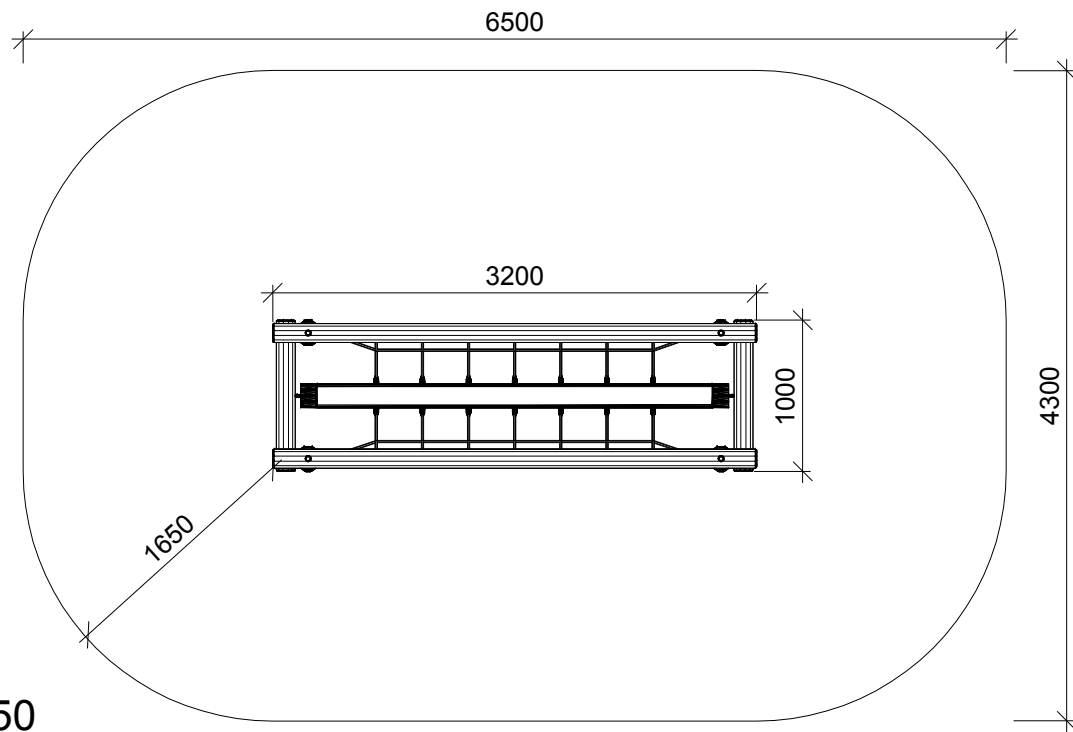
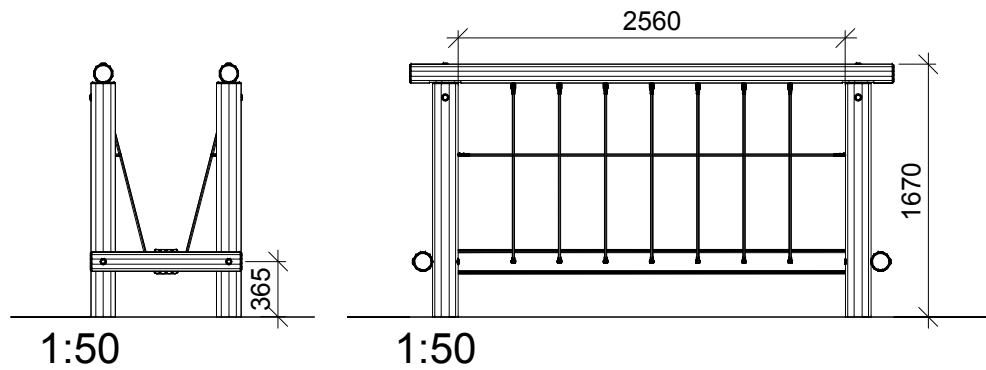
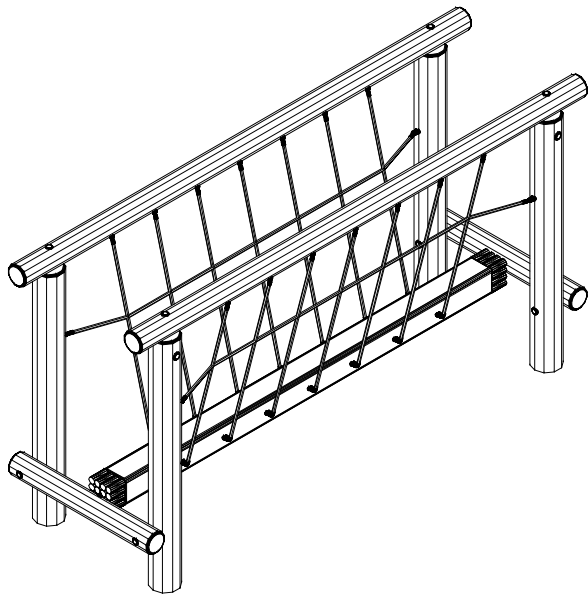


NORLEG	
Robinia tovbros	
LE 20924	
25.03.2015	REV. -

< 1700

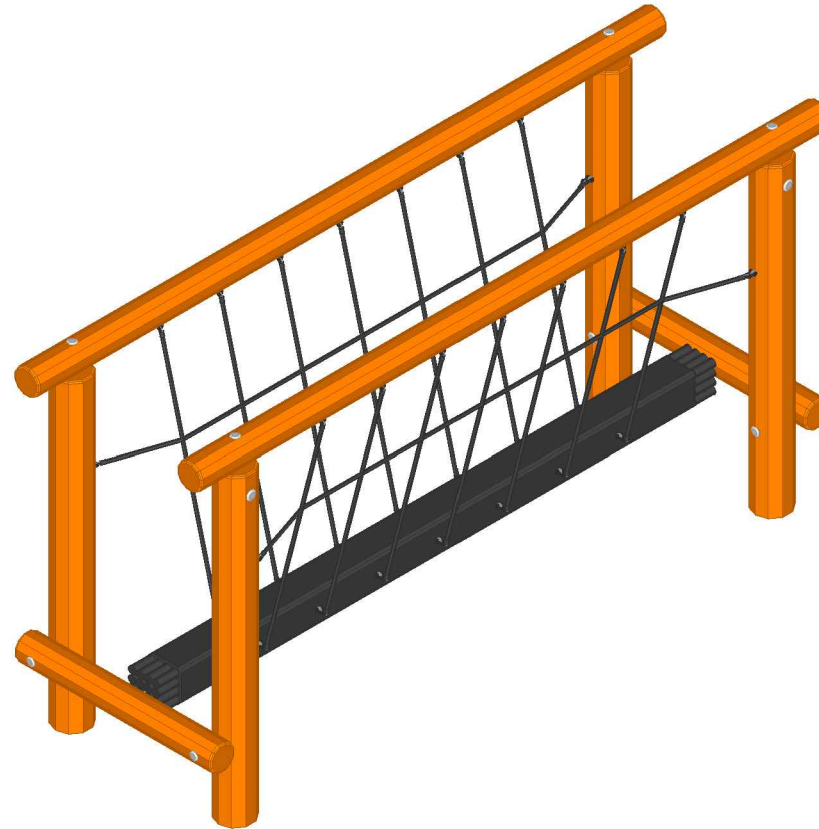


≥ EN 1176



This drawing is the property of NORLEG and pursuant to current legislation may not be copied, transferred to or used by any third party. Should this drawing be used, a fee of 10% of the assumed contract price will be charged.


NORLEG - 3D	
Robinia tovbros	
LE 20924	
25.03.2015	REV. -



This drawing is the property of NORLEG and pursuant to current legislation may not be copied, transferred to or used by any third party. Should this drawing be used, a fee of 10% of the assumed contract price will be charged.

NORLEG - Mont.	
Robinia tovbros	
LE 20924	
25.03.2015	REV. -

< 1700

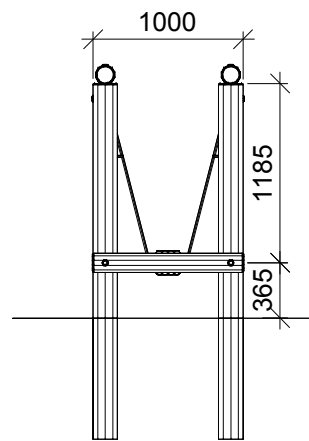


≥ EN 1176

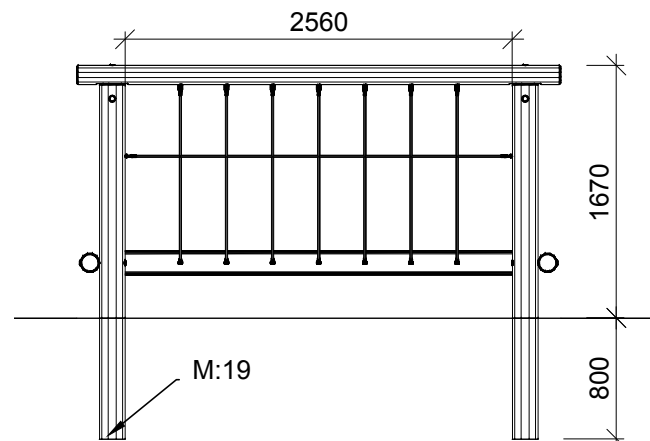
Mont.p. nr.

- 1
- 2A
- 4
- 19

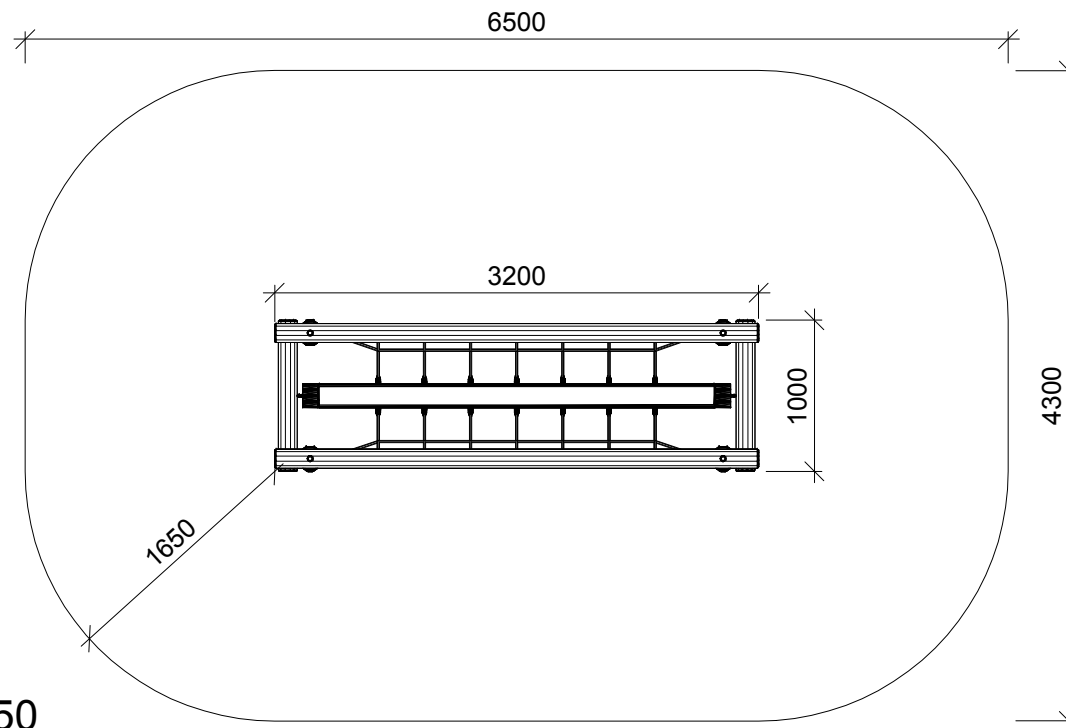
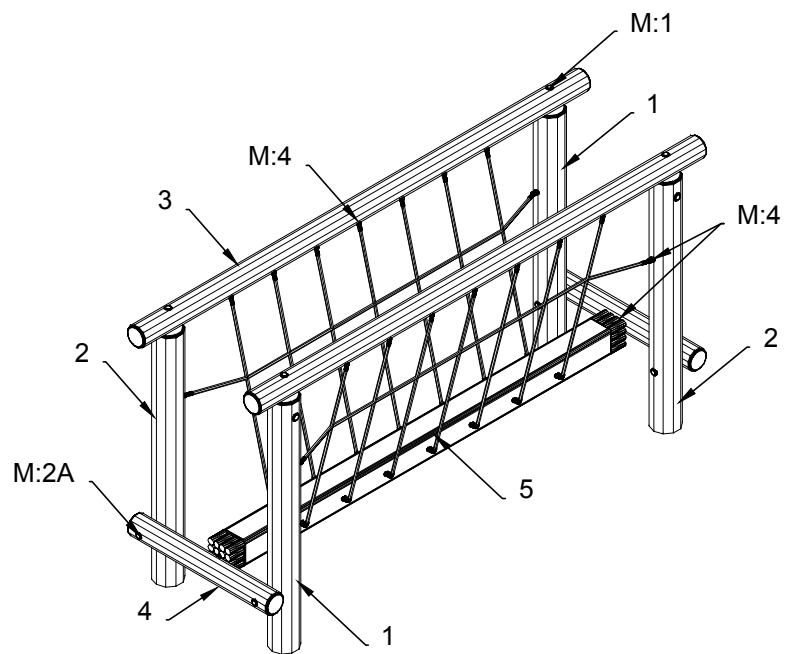
Parts list		
Mrk.	QTY	Part.no
1	2	160-180-2350
2	2	160-180-2350
3	2	120-140-3200
4	2	120-140-1000
5	1	LE 26058



1:50



1:50



1:50

This drawing is the property of NORLEG and pursuant to current legislation may not be copied, transferred to or used by any third party. Should this drawing be used, a fee of 10% of the assumed contract price will be charged.