

NORLEG

Robinia kravlepyramide

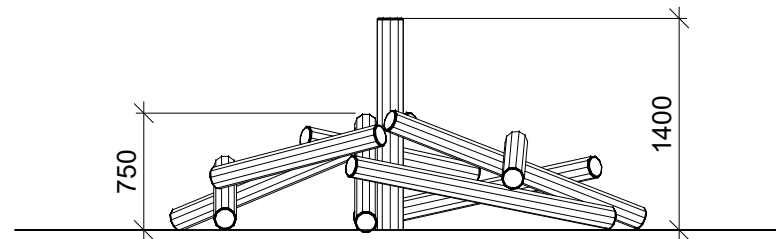
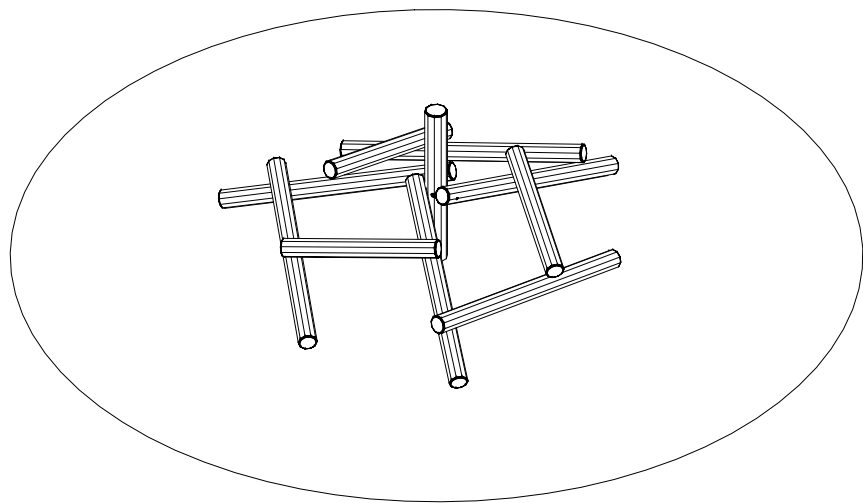
LE 20534

14.12.2011      REV.      04.12.2018

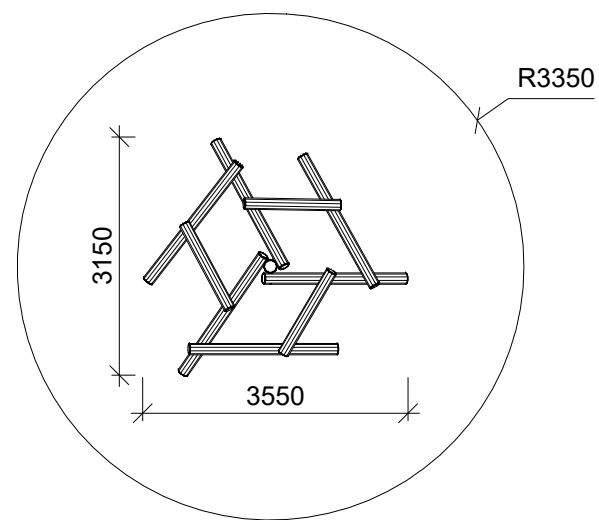
< 750



≥ EN 1176



1:50



1:100

# NORLEG - 3D

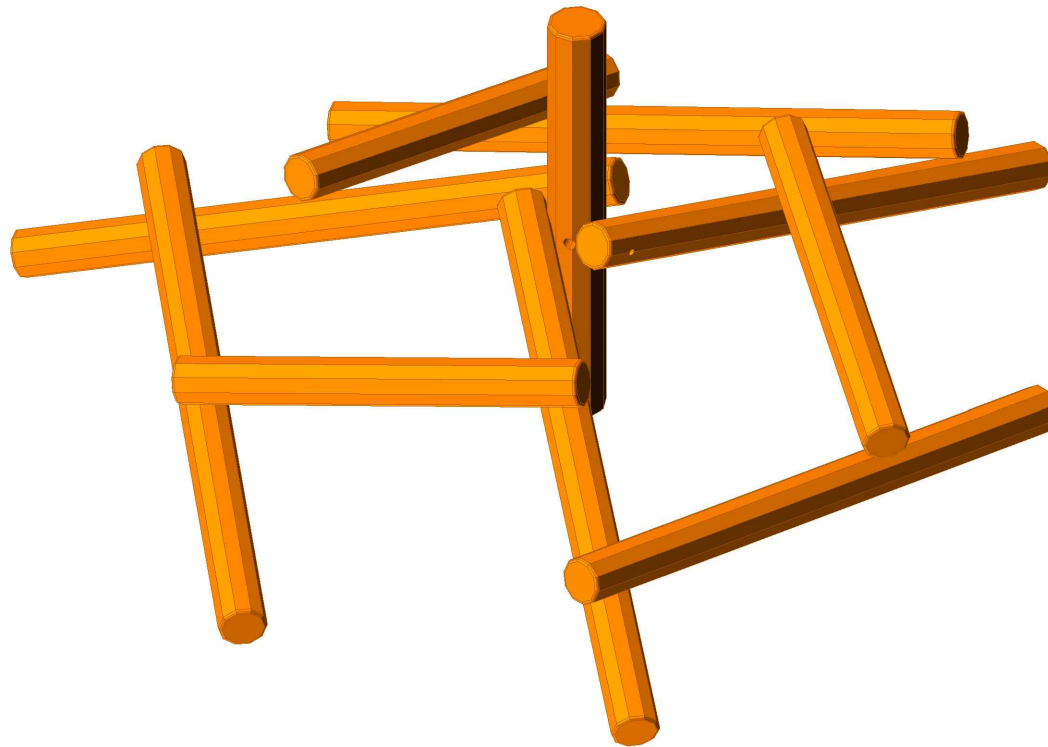
Robinia kravlepyramide

LE 20534

14.12.2011

REV.

10.10.2016



<b>NORLEG</b> - Mont.	
Robinia kravlepyramide	
LE 20534	
14.12.2011	REV. 10.10.2016

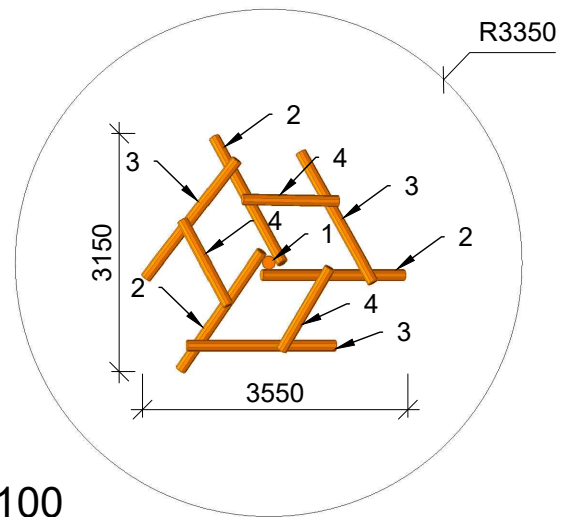
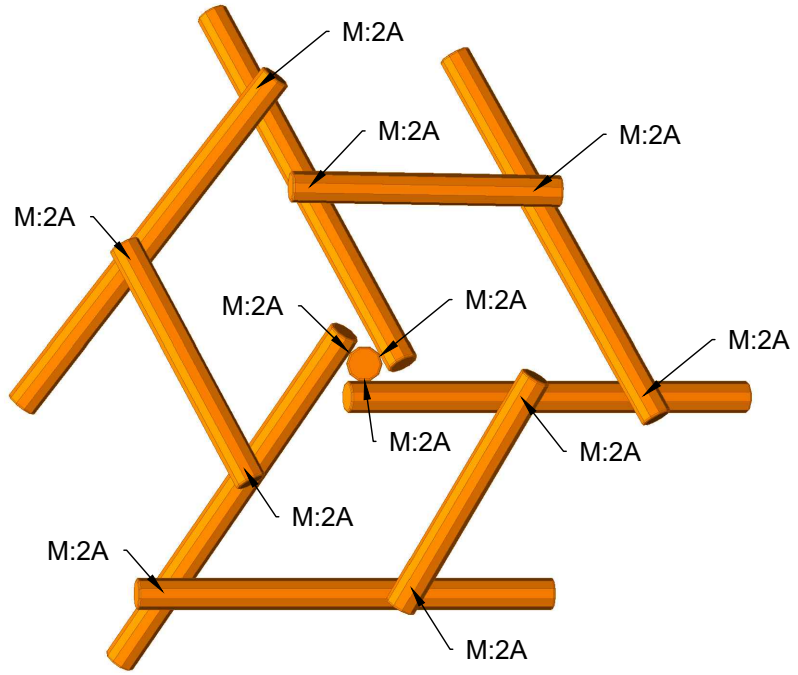
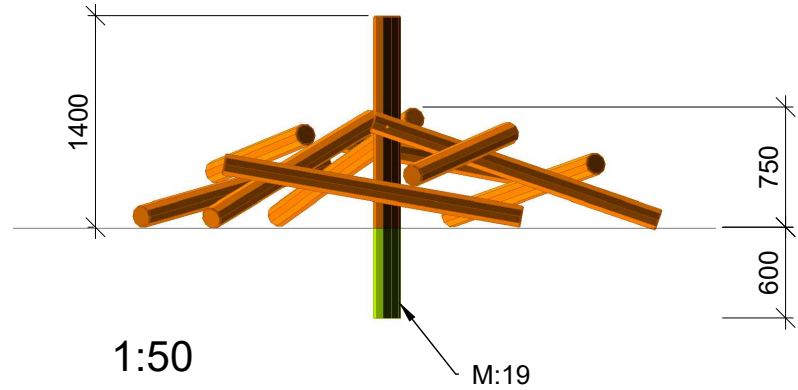
< 750

≥ EN 1176

Mont.p. nr.

M:2A  
M:19

Robinia		
Mrk.	QTY	Part.no
1	1	160-180-2000-f
2	3	140-160-2000-f
3	3	140-160-2000-f
4	3	140-160-1300-f



This drawing is the property of NORLEG and pursuant to current legislation may not be copied, transferred to or used by any third party. Should this drawing be used, a fee of 10% of the assumed contract price will be charged.

NORLEG - Mont.

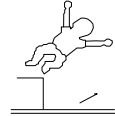
Robinia kravlepyramide

LE 20534

14.12.2011

REV. 10.10.2016

< 750



≥ EN 1176

