
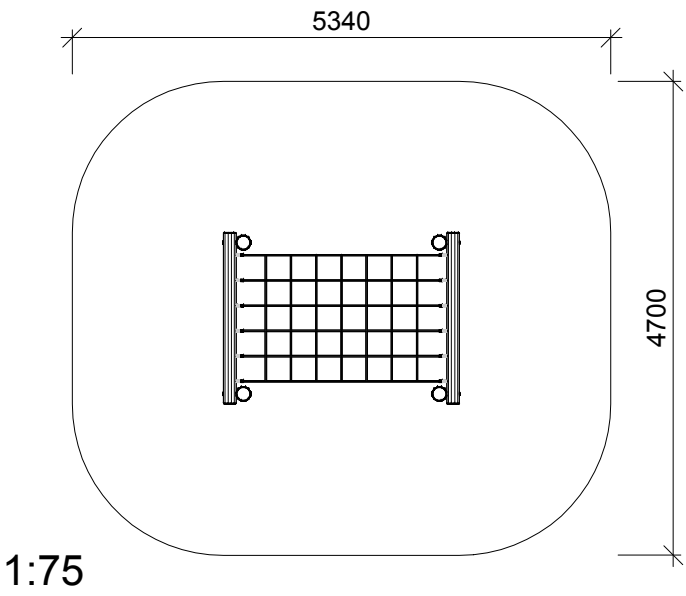
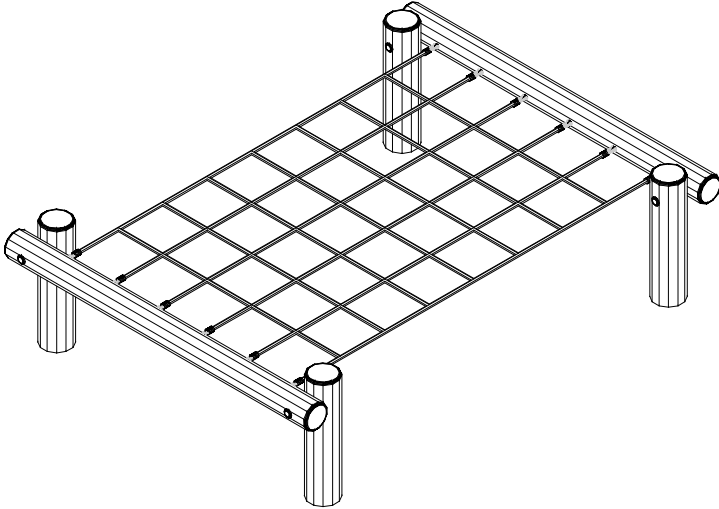
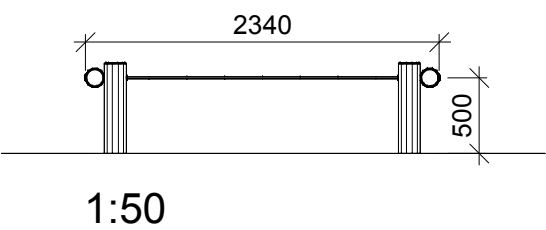
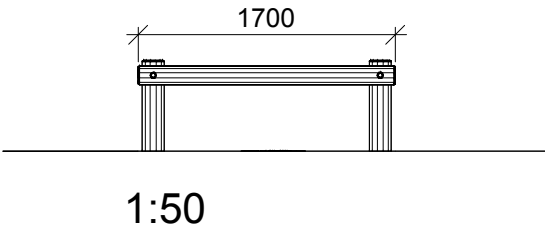


NORLEG	
Robinia vandret kravlenet	
LE 20904	
21.06.2004	REV. 30.04.2015

< 600



≥ EN 1176



This drawing is the property of NORLEG and pursuant to current legislation may not be copied, transferred to or used by any third party. Should this drawing be used, a fee of 10% of the assumed contract price will be charged.

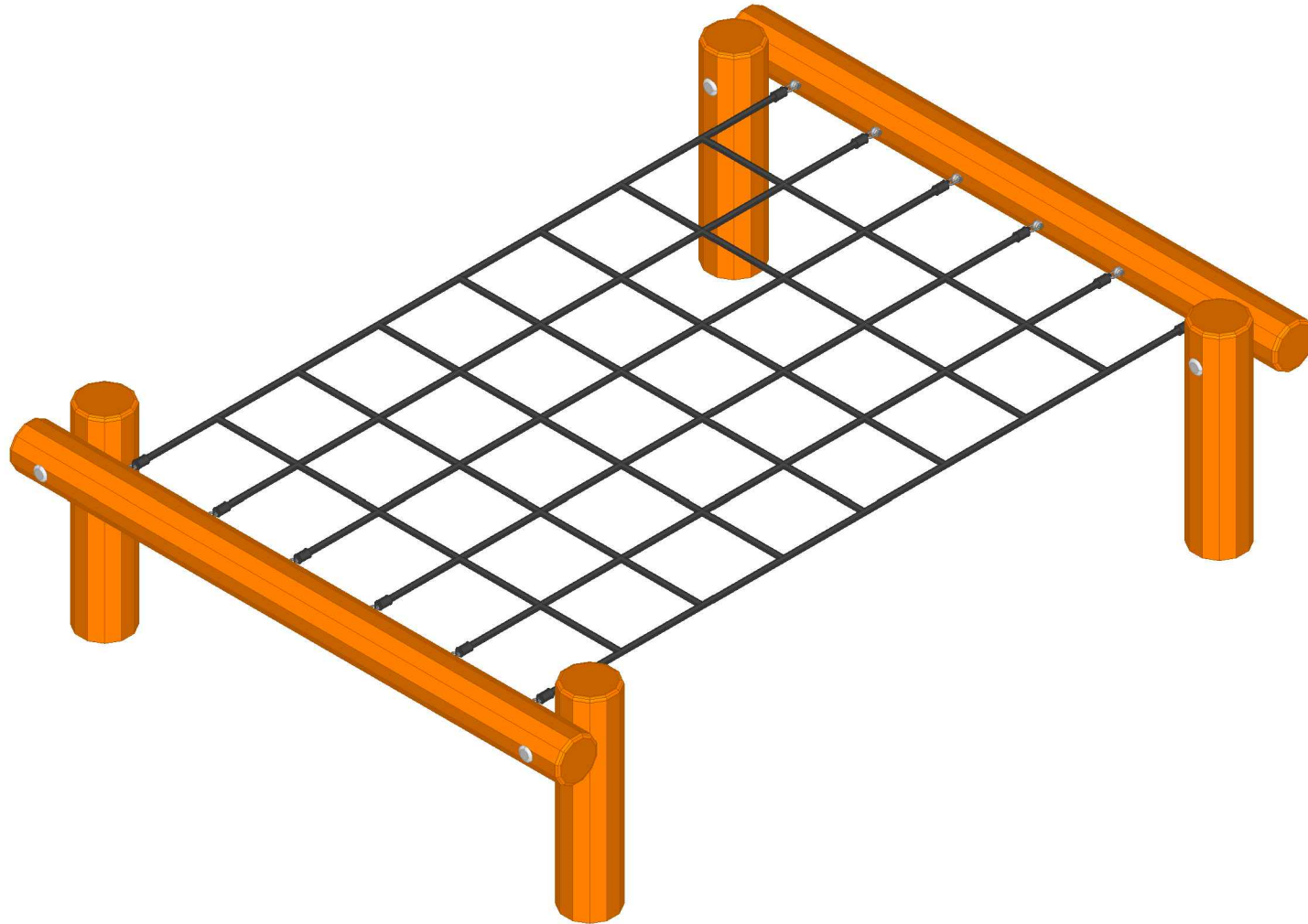
NORLEG - 3D

Robinia vandret kravlenet

LE 20904

21.06.2004

REV. 30.04.2015



NORLEG - Mont.	
Robinia vandret kravlenet	
LE 20904	
21.06.2004	REV. 30.04.2015

< 600

≥ EN 1176

Mont.p. nr.

2A
4
19

Parts list		
Mrk.	QTY	Part.no
1	4	140-160-1400
2	2	120-140-1700
3	1	LE 26036

