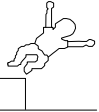
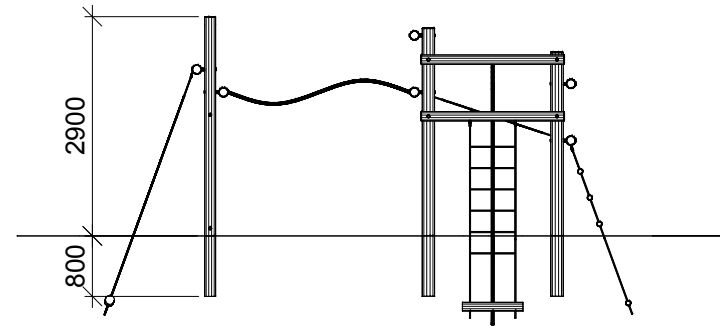
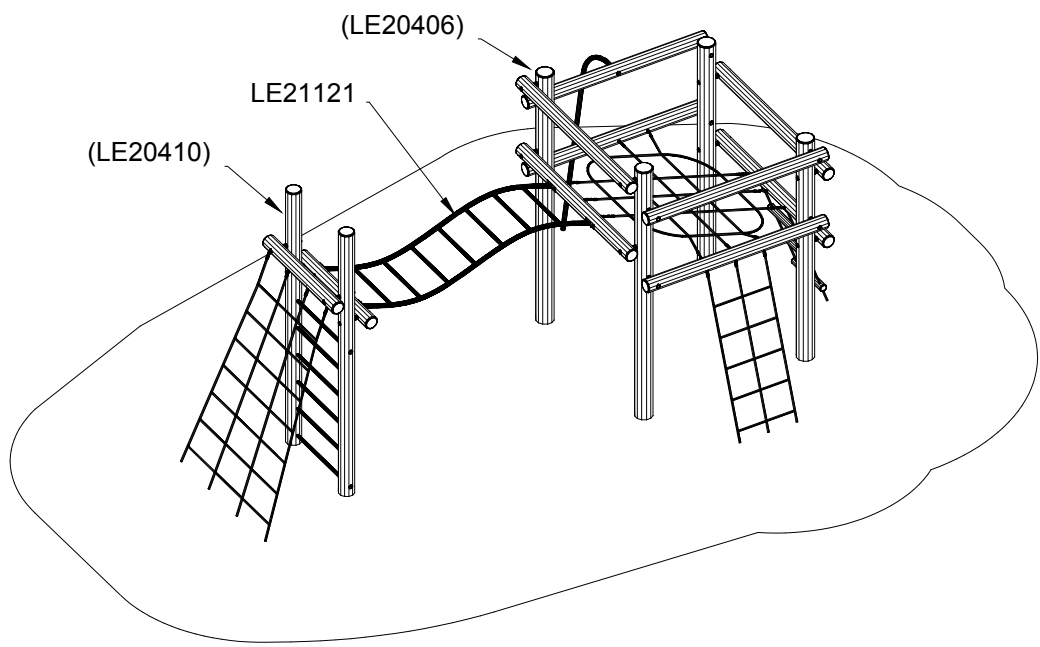


NORLEG	
2 til 4	
LE 20420 - Opdateret	
30.01.2015	REV. A:20.04.2017

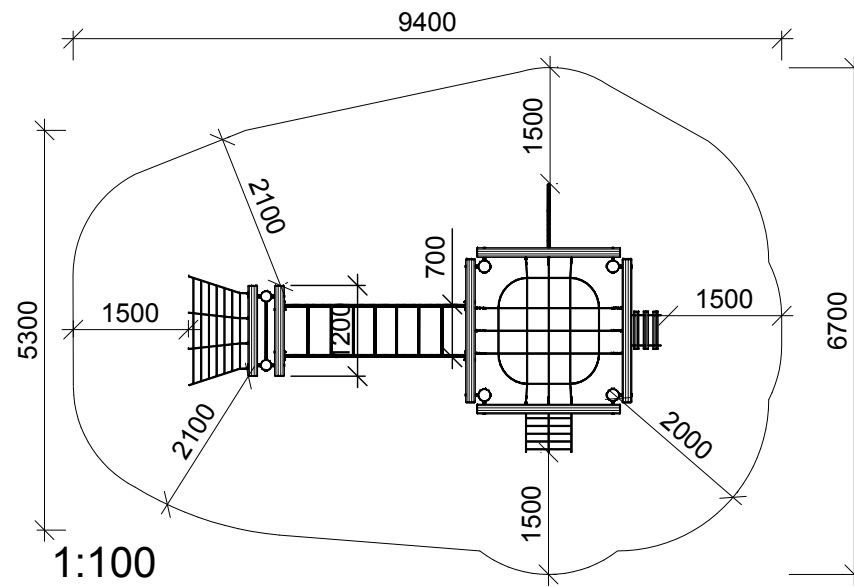
< 2300



≥ EN 1176



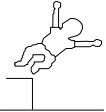
1:100



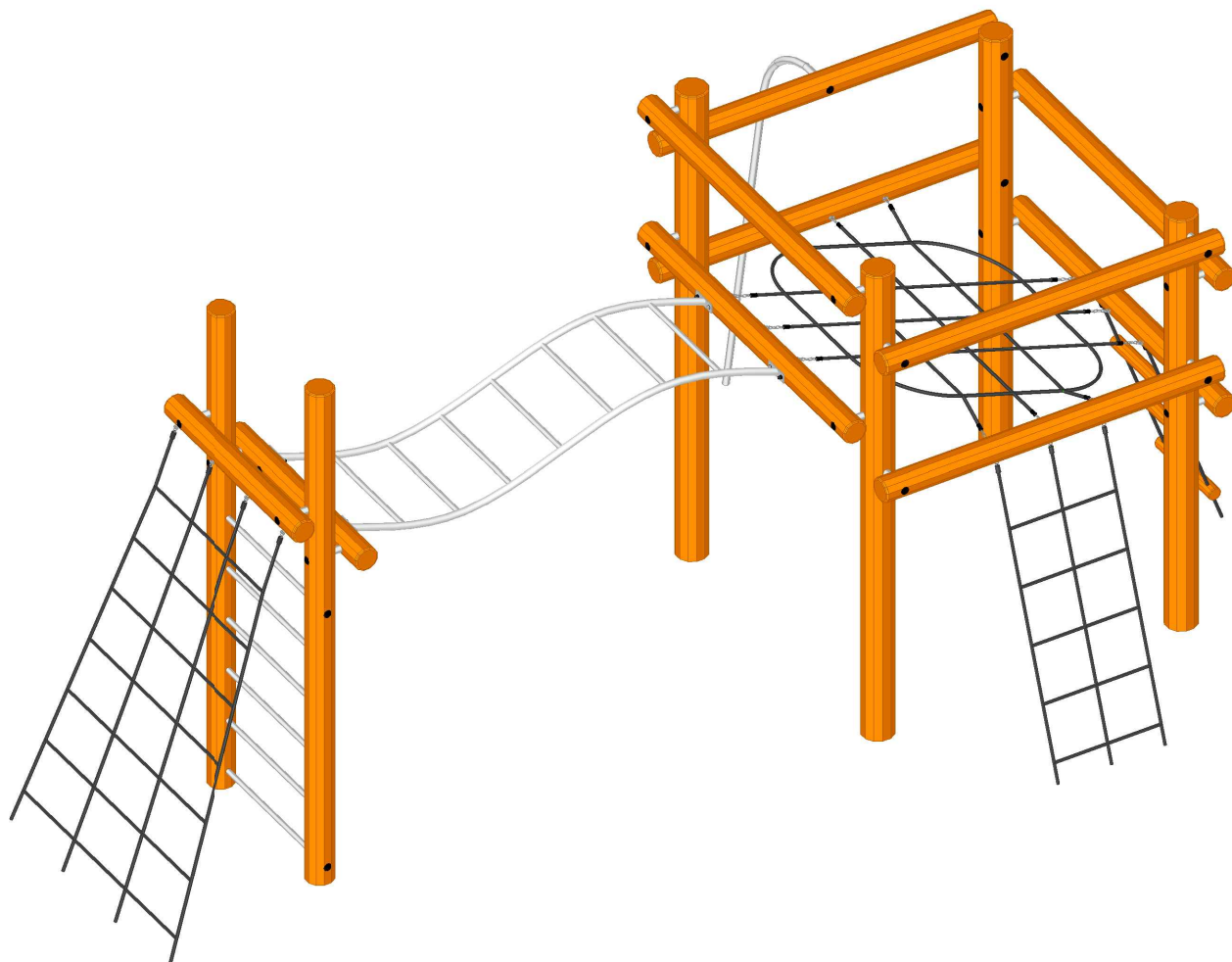
1:100

NORLEG - 3D	
2 til 4	
LE 20420 - Opdateret	
30.01.2015	REV. A:20.04.2017

< 2300



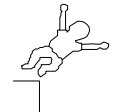
≥ EN 1176



This drawing is the property of NORLEG and pursuant to current legislation may not be copied, transferred to or used by any third party. Should this drawing be used, a fee of 10% of the assumed contract price will be charged.

NORLEG - Mont.	
2 til 4	
LE 20420 - Opdateret	
30.01.2015	REV. A:20.04.2017

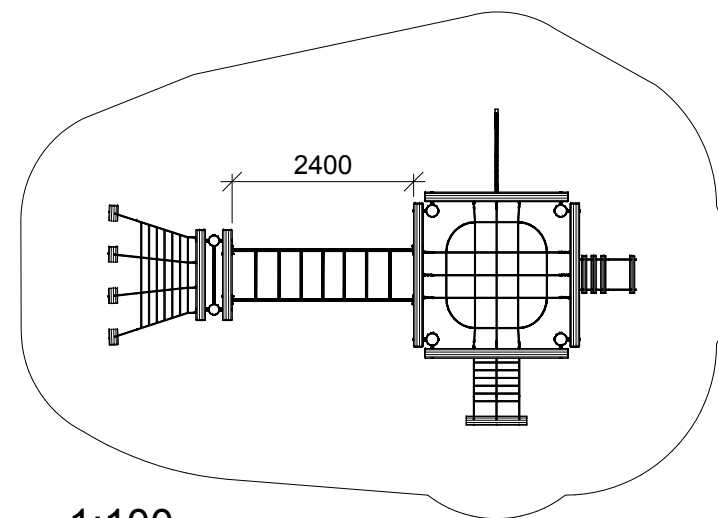
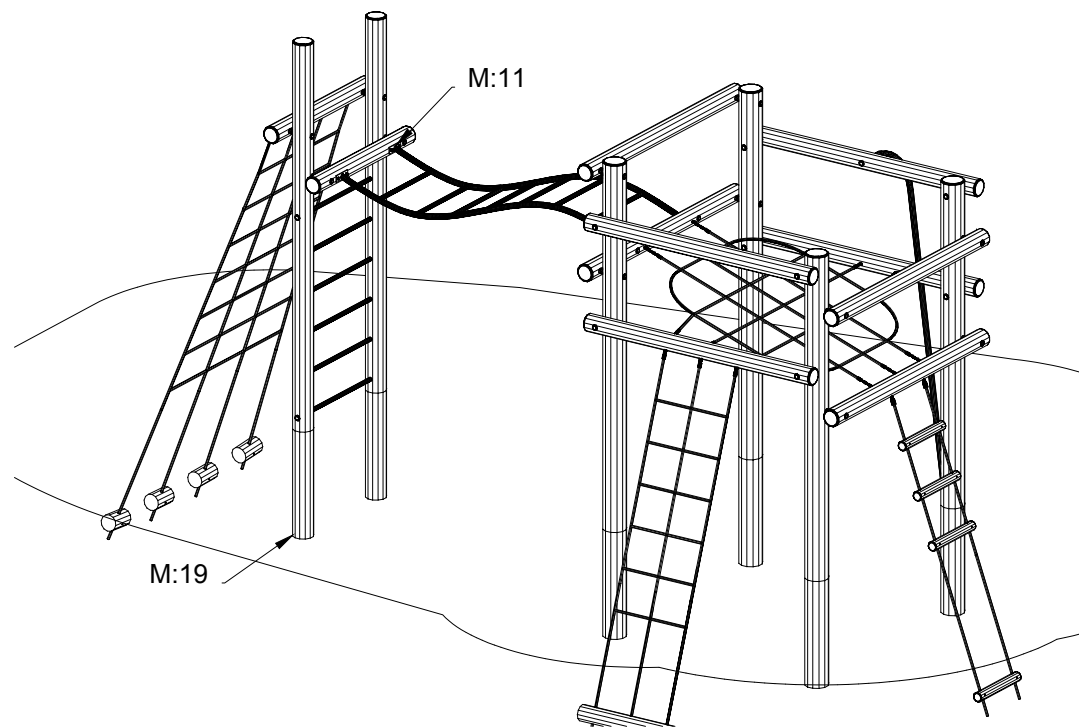
< 2300



≥ EN 1176

Mont.p. nr.

2
19



1:100

This drawing is the property of NORLEG and pursuant to current legislation may not be copied, transferred to or used by any third party. Should this drawing be used, a fee of 10% of the assumed contract price will be charged.