



Figura Play

BBIE708
Springer Chick



BBIE708

Springer Chick



1



1 - 6



0,7 x 0,5 x 0,9 m



3,5 x 2,5 m



3,5 x 2,5 m



> 0,6 m

Opvangzone

Impact area

□ WAS, Dutch law

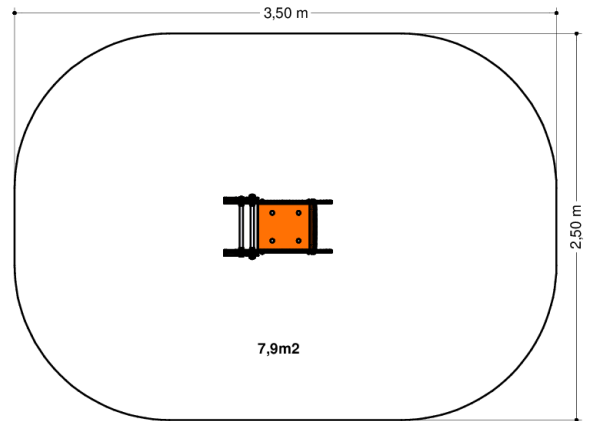
□ EN1176

Obstakelvrije zone

Obstacle free zone

□ WAS, Dutch law

□ EN1176



Impact area suitable for height of fall > 0,60m
Valbodem geschikt voor valhoogte > 0,60m

Biggest part

2,2 x 0,9 x 0,6m

Heaviest part

30 kg

Number of mechanics

2

Play values

Role play, Spring

Material

Plate material and the seat are made of coloured 19mm thick HDPE of a quality for outside use. Fasteners are protected with shielding caps where necessary. Bars made of coated aluminium. Spring made out of steel.

Anchoring

Through steel ground anchors.

Remarks

If the soil condition does not contribute to stability, it may be necessary to add concrete.

