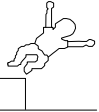
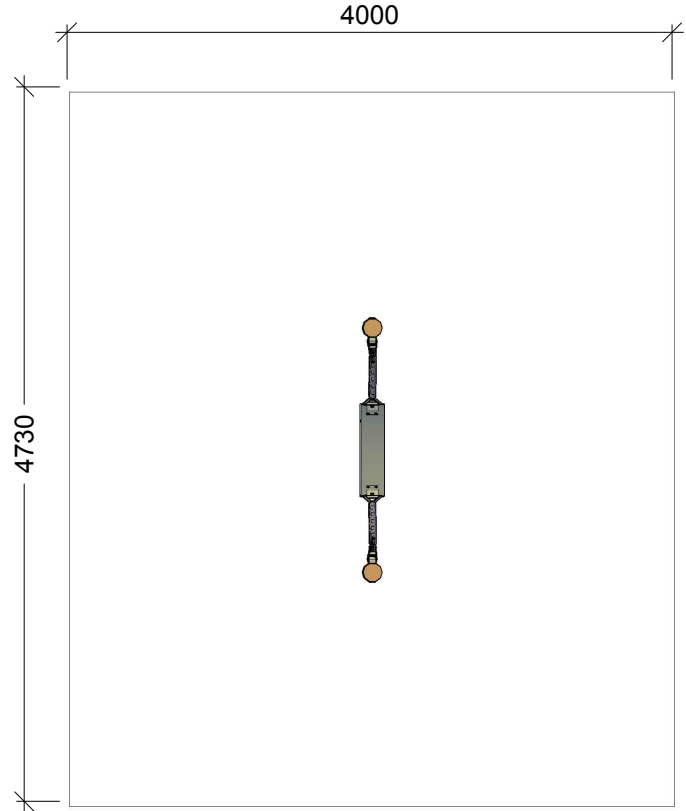
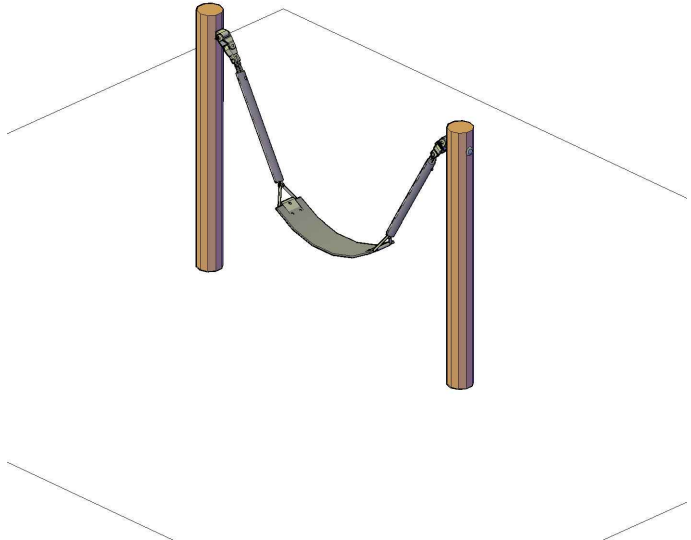
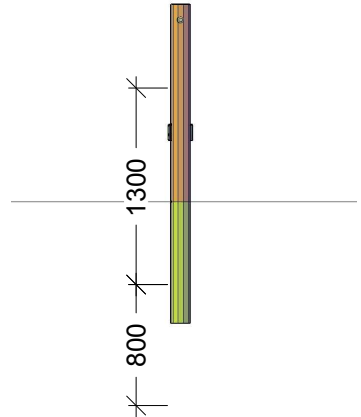
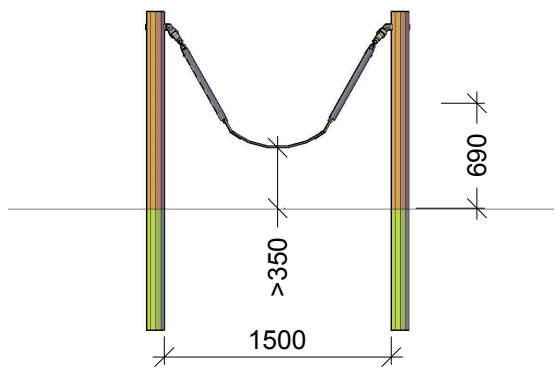


| | |
|---------------------------------|--------------------|
| NORLEG | |
| Robinia stolpegyngge med 1 sæde | |
| N3261 | |
| 19.01.2016 | REV. A: 21.11.2018 |

< 800



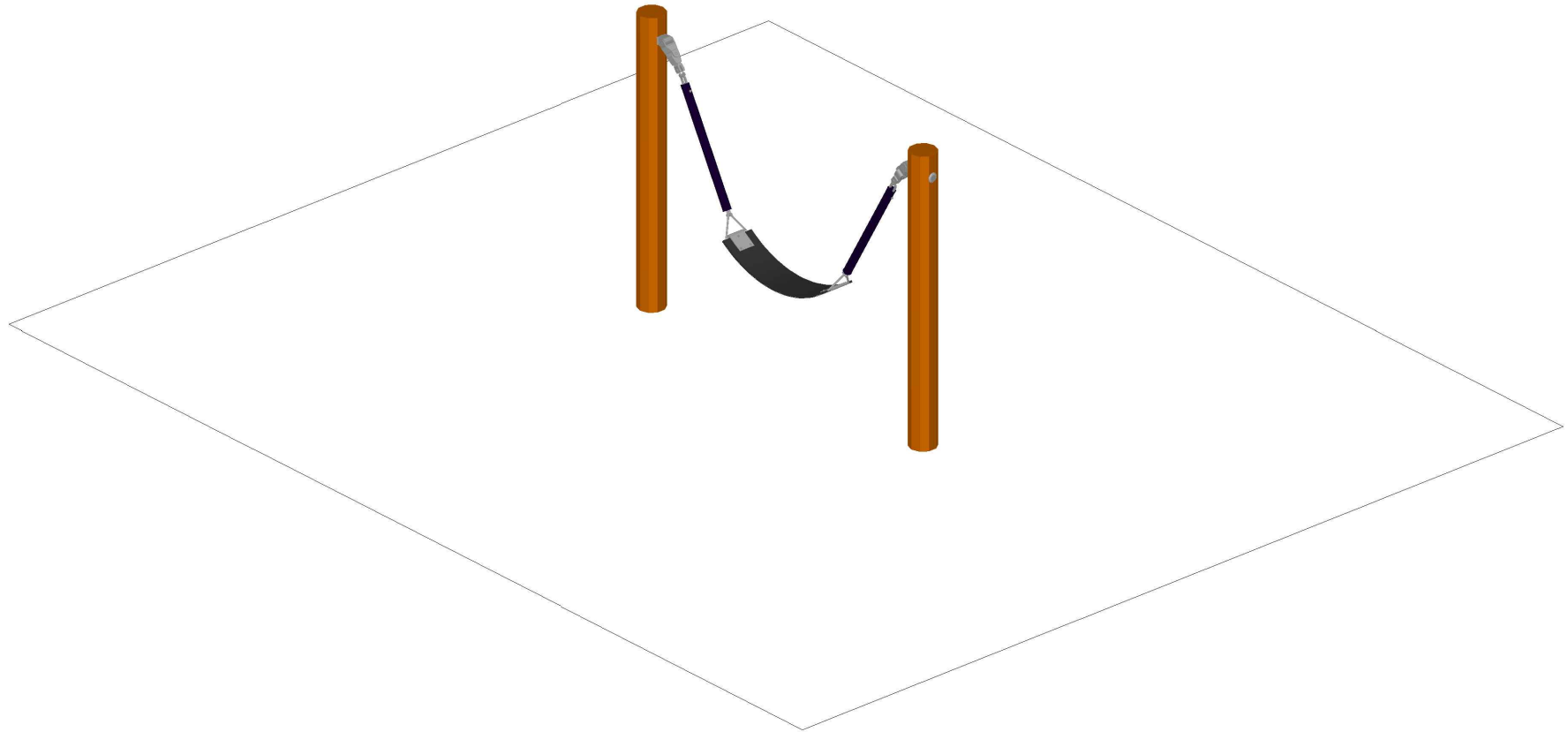
≥ EN 1176



This drawing is the property of NORLEG and pursuant to current legislation may not be copied, transferred to or used by any third party. Should this drawing be used, a fee of 10% of the assumed contract price will be charged.


1:50

| | |
|-------------------------------|--------------------|
| NORLEG - 3D | |
| Robinia stolpegyng med 1 sæde | |
| N3261 | |
| 19.01.2016 | REV. A: 21.11.2018 |



| | |
|---------------------------------|--------------------|
| NORLEG - Mont. | |
| Robinia stolpegyngge med 1 sæde | |
| N3261 | |
| 19.01.2016 | REV. A: 21.11.2018 |

< 800

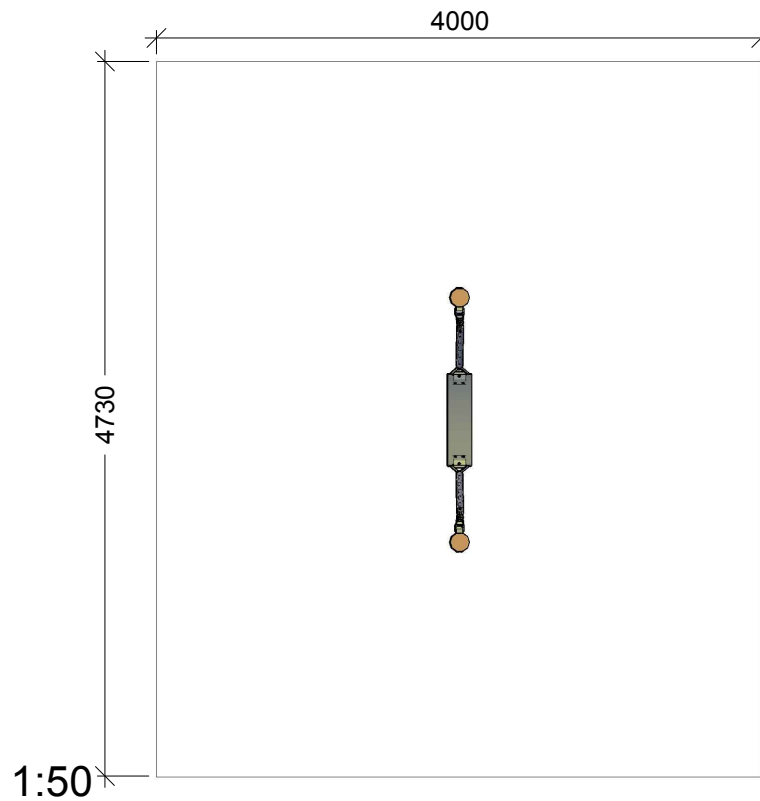
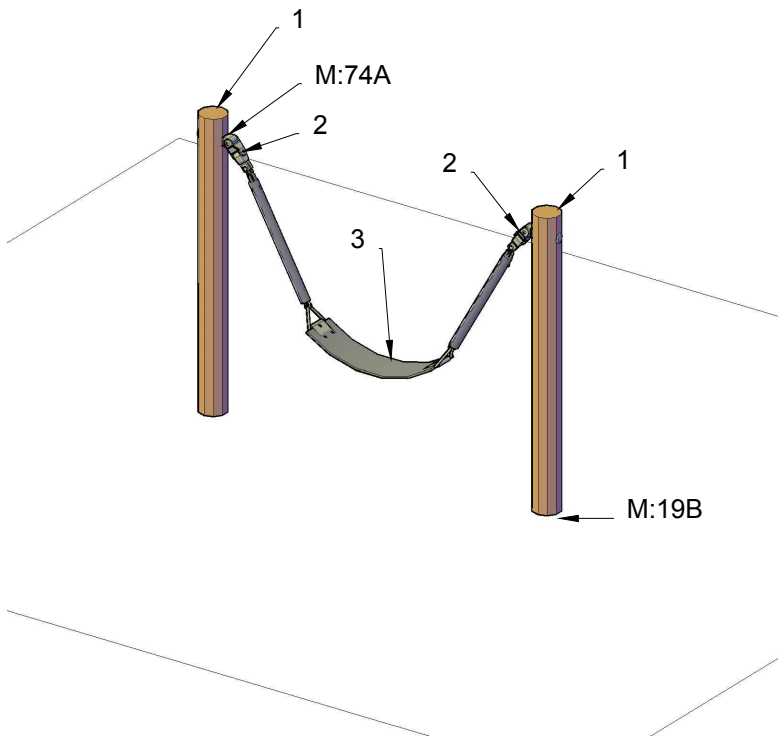
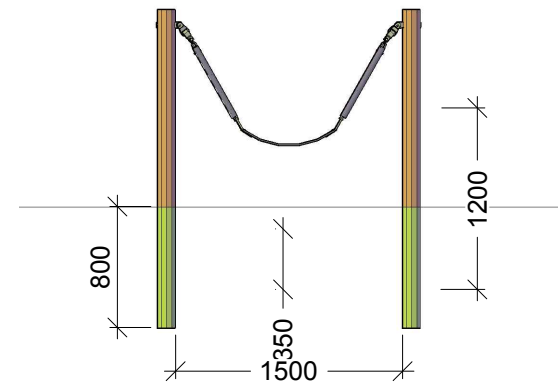


≥ EN 1176

Mont.p. nr.

19B
74A

| Parts list | | |
|------------|-----|--------------|
| Mrk. | QTY | Part.no |
| 1 | 2 | 100-120-2100 |
| 2 | 2 | LE15519 |
| 3 | 1 | LE20150 |



This drawing is the property of NORLEG and pursuant to current legislation may not be copied, transferred to or used by any third party. Should this drawing be used, a fee of 10% of the assumed contract price will be charged.